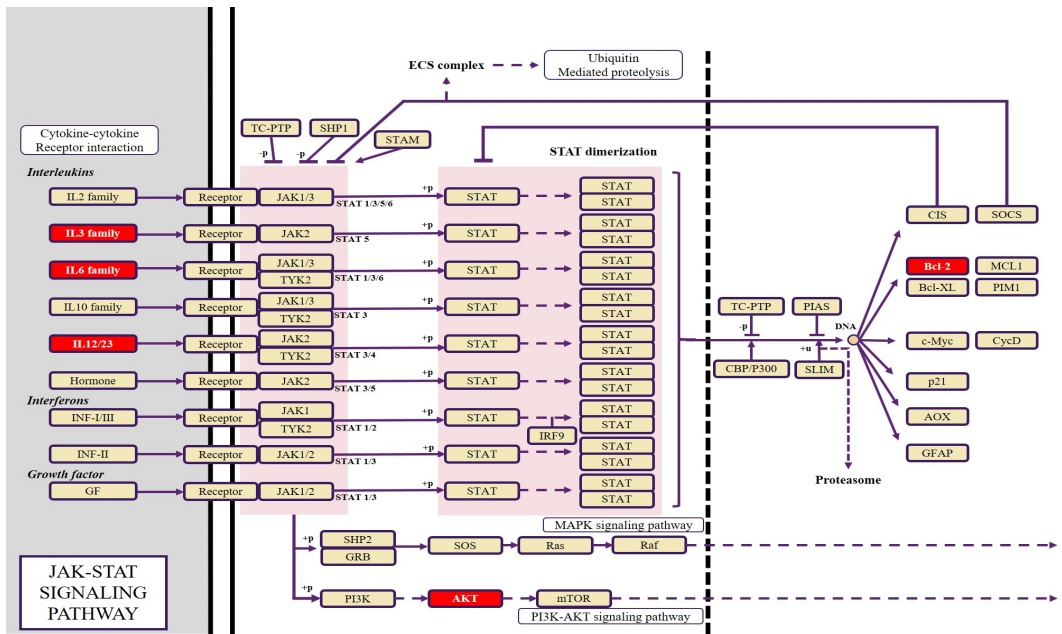


Supplementary fig. 1. Distribution of key targets in the FcεRI Signaling pathway. The potential targets and the genes involved in the pathway are highlighted in red.



Supplementary fig. 2. Distribution of key targets in the JAK-STAT Signaling pathway. The potential targets and the genes involved in the pathway are highlighted in red.